



SPECTRA™ RIFLESCOPES

Technical Information

SPECTRA 2,5-10x44

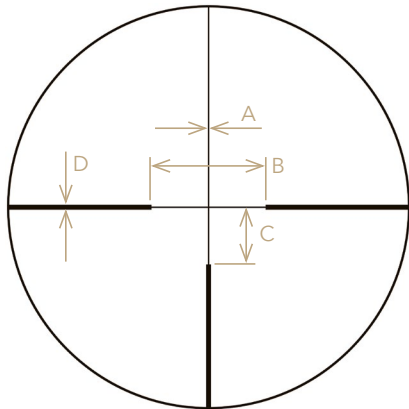


Dimension in mm

SPECTRA	A	B	C	D	E	F	G	H	I
2,5-10x44	339	138,1	46,9	49	52,5	45,3	30	97,9	103

SPECTRA 2,5-10x44

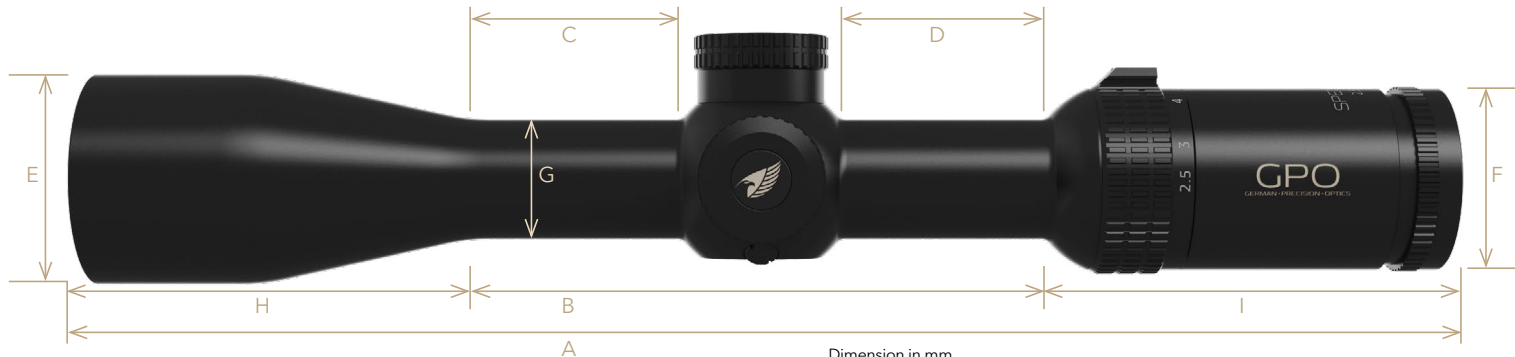
Magnification	.	2,5x - 10x
Field of View (FOV) m at 100m	.	16,2 - 4,1
Objective diameter (mm)	Effective diameter	44
Exit pupil diameter (mm)	Measurment. of the pupillary ocular beam	12,3 - 4,4
Eye relief (inches)	From the last optical surface	3,74
Eye relief (mm)	From the last optical surface	95
Travel value per click at 100m	1 clic = x/100m	1
Elevation range total (cm at 100m)	100m	235
Windage range total (cm at 100m)	100m	235
Parallax compensation	.	100m
Transmission daylight	ISO 14490-5:2005	87%
Height (inches)	Without covers	2,44
Height (mm)	Without covers	62
Width (inches)	At outside diameter	2,44
Width (mm)	At outside diameter	62
Length (inches)	Fully extended	13,38
Length (mm)	Fully extended	339
Tube diameter (mm)	.	30
Weight (oz)	Without cover	21,87
Weight (gram)	Without cover	620
Reticle options	.	G4
Accessories	.	Instruction manual, cleaning cloth, bikini covers, throw lever



Coverage in cm / 100 Meter at 10x

SPECTRA	Reticle	A	B	C	D
2,5-10x44	G4	0,5	150	75	4

SPECTRA 2,5-10x44i

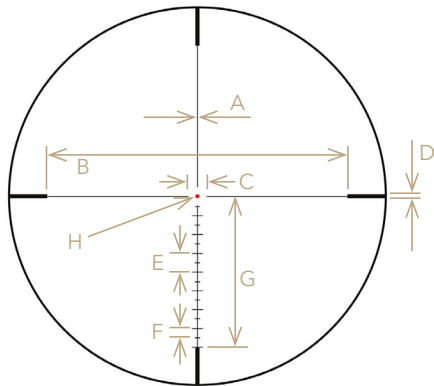


Dimension in mm

SPECTRA	A	B	C	D	E	F	G	H	I
2,5-10x44i	339	138,1	46,9	49	52,5	45,3	30	97,9	103

SPECTRA 2,5-10x44i

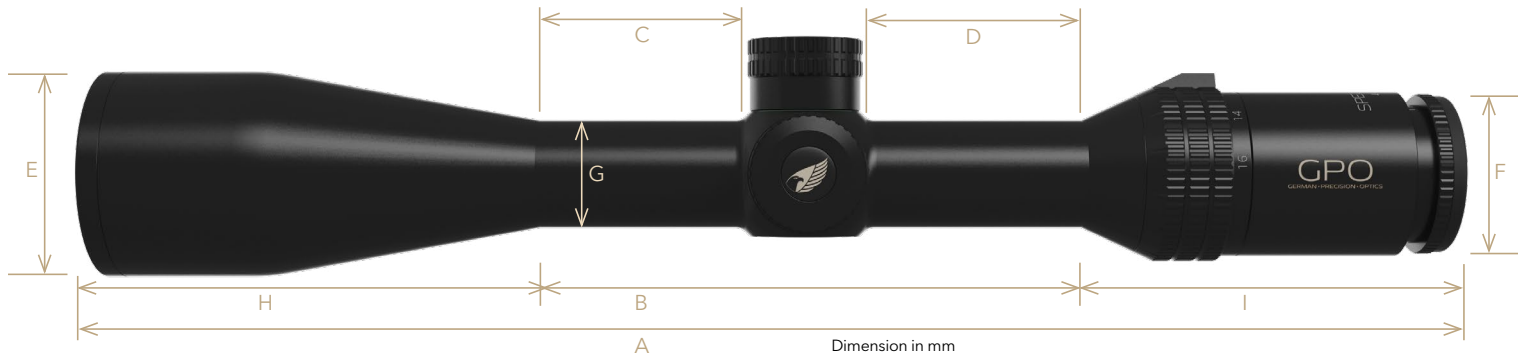
Magnification	.	2,5x - 10x
Field of View (FOV) m at 100m	.	16,2 - 4,1
Objective diameter (mm)	Effective diameter	44
Exit pupil diameter (mm)	Measurment. of the pupillary ocular beam	12,3 - 4,4
Eye relief (inches)	From the last optical surface	3,74
Eye relief (mm)	From the last optical surface	95
Travel value per click at 100m	1 clic = x/100m	1
Elevation range total (cm at 100m)	100m	235
Windage range total (cm at 100m)	100m	235
Parallax compensation	.	100m
Transmission daylight	ISO 14490-5:2005	87%
Height (inches)	Without covers	2,44
Height (mm)	Without covers	62
Width (inches)	At outside diameter	2,85
Width (mm)	At outside diameter	72,6
Length (inches)	Fully extended	13,38
Length (mm)	Fully extended	339
Tube diameter (mm)	.	30
Weight (oz)	Without cover	22,57
Weight (gram)	Without cover	640
Reticle options	.	G4i Drop
Accessories	.	Instruction manual, cleaning cloth, bikini covers, throw lever, CR2032 battery



Coverage in cm / 100 Meter at 10x

SPECTRA	Reticle	A	B	C	D	E	F	G	H
2,5-10x44i	G4i Drop	0,5	150	5	4	10	5	90	2

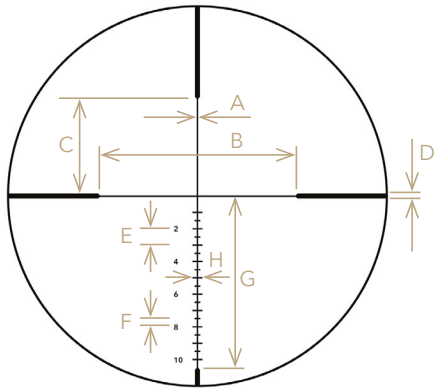
SPECTRA 4-16x44



SPECTRA	A	B	C	D	E	F	G	H	I
4-16x44	361,8	165	62,9	60,9	51,4	43,5	30	109,8	87

SPECTRA 4-16x44

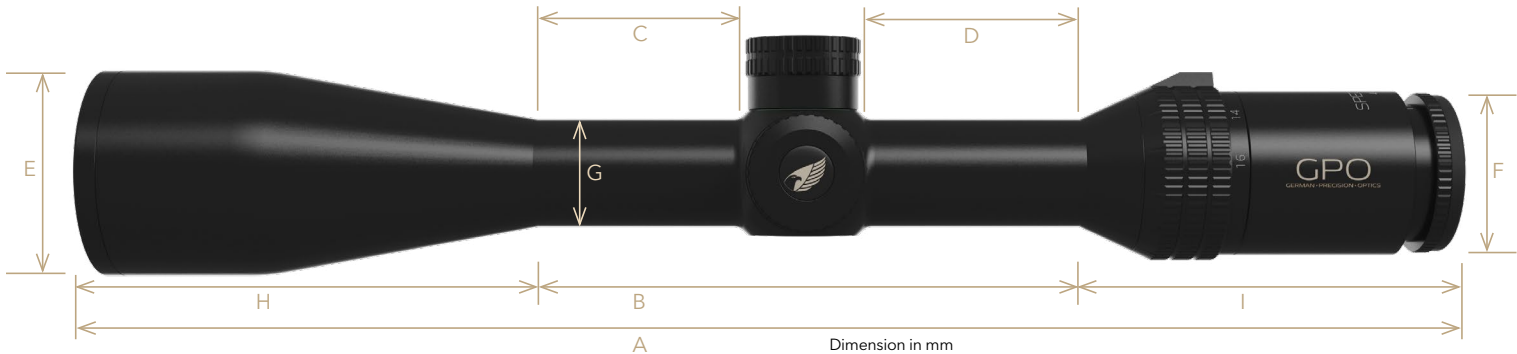
Magnification	.	4x - 16x
Field of View (FOV) m at 100m	.	9,2 - 2,3
Objective diameter (mm)	Effective diameter	44
Exit pupil diameter (mm)	Measurment. of the pupillary ocular beam	11 - 2,75
Eye relief (inches)	From the last optical surface	3,54
Eye relief (mm)	From the last optical surface	90
Travel value per click at 100m	1 clic = x/100m	1
Elevation range total (cm at 100m)	100m	250
Windage range total (cm at 100m)	100m	250
Parallax compensation	.	10m - ∞
Transmission daylight	ISO 14490-5:2005	91%
Height (inches)	Without covers	2,12
Height (mm)	Without covers	54
Width (inches)	At outside diameter	2,75
Width (mm)	At outside diameter	70
Length (inches)	Fully extended	14,24
Length (mm)	Fully extended	361,8
Tube diameter (mm)	.	30
Weight (oz)	Without cover	24,16
Weight (gram)	Without cover	685
Reticle options	.	BR
Accessories	.	Instruction manual, cleaning cloth, bikini covers, throw lever



Coverage in cm / 100 Meter at 16x

SPECTRA	Reticle	A	B	C	D	E	F	G	H
4-16x44	BR	0,7	120	60	3	10	5	105	4

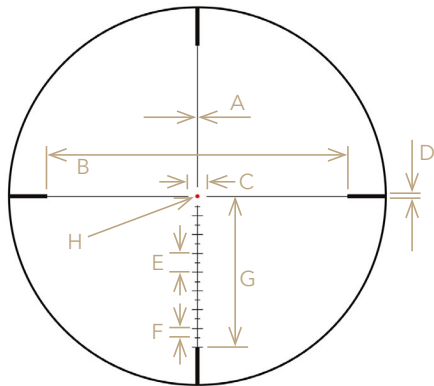
SPECTRA 4-16x50i



SPECTRA	A	B	C	D	E	F	G	H	I
4-16x50i	373,5	151,2	54,5	57,8	57,2	45,8	30	121	101,3

SPECTRA 4-16x50i

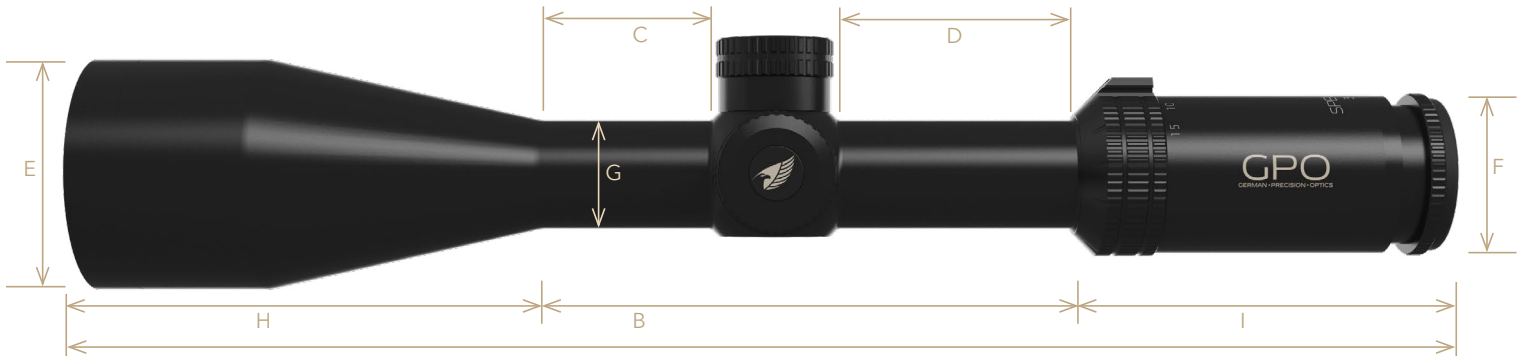
Magnification	.	4x - 16x
Field of View (FOV) m at 100m	.	10,4 - 2,6
Objective diameter (mm)	Effective diameter	50
Exit pupil diameter (mm)	Measurment. of the pupillary ocular beam	9,5 - 3,1
Eye relief (inches)	From the last optical surface	3,74
Eye relief (mm)	From the last optical surface	95
Travel value per click at 100m	1 clic = x/100m	1
Elevation range total (cm at 100m)	100m	210
Windage range total (cm at 100m)	100m	210
Parallax compensation	.	10m - ∞
Transmission daylight	ISO 14490-5:2005	90%
Height (inches)	Without covers	1,88
Height (mm)	Without covers	47,9
Width (inches)	At outside diameter	3,2
Width (mm)	At outside diameter	81,2
Length (inches)	Fully extended	14,7
Length (mm)	Fully extended	373,5
Tube diameter (mm)	.	30
Weight (oz)	Without cover	20,08
Weight (gram)	Without cover	629
Reticle options	.	G4i Drop
Accessories	.	Instruction manual, cleaning cloth, bikini covers, throw lever, CR2032 battery



Coverage in cm / 100 Meter at 16x

SPECTRA	Reticle	A	B	C	D	E	F	G	H
4-16x50i	G4i Drop	0,45	180	6,6	2,2	10	5	80	1,4

SPECTRA 3-15x56i

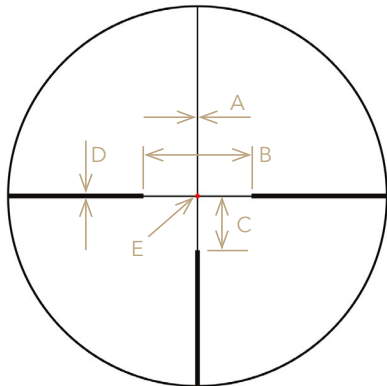


Dimension in mm

SPECTRA	A	B	C	D	E	F	G	H	I
3-15x56i	369,6	145,1	45,1	63,4	63,5	43,5	30	123,3	101,2

SPECTRA 3-15x56i

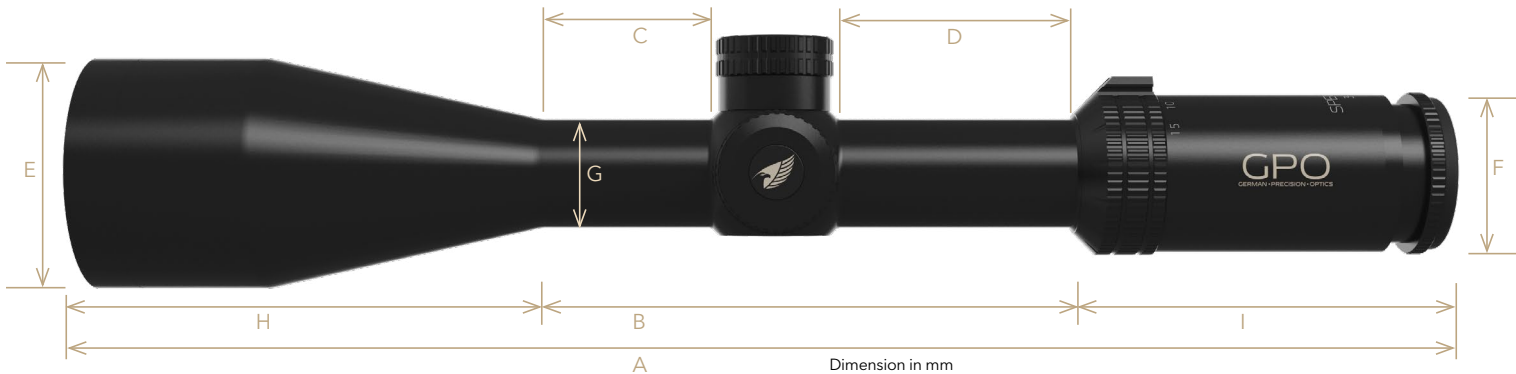
Magnification	.	3x - 15x
Field of View (FOV) m at 100m	.	11,1 - 2,3
Objective diameter (mm)	Effective diameter	56
Exit pupil diameter (mm)	Measurment. of the pupillary ocular beam	9,5 - 3,7
Eye relief (inches)	From the last optical surface	3,74
Eye relief (mm)	From the last optical surface	95
Travel value per click at 100m	1 clic = x/100m	1
Elevation range total (cm at 100m)	100m	250
Windage range total (cm at 100m)	100m	250
Parallax compensation	.	10m - ∞
Transmission daylight	ISO 14490-5:2005	90%
Height (inches)	Without covers	2,12
Height (mm)	Without covers	54
Width (inches)	At outside diameter	3,34
Width (mm)	At outside diameter	85
Length (inches)	Fully extended	14,55
Length (mm)	Fully extended	369,6
Tube diameter (mm)	.	30
Weight (oz)	Without cover	29,27
Weight (gram)	Without cover	830
Reticle options	.	G4i
Accessories	.	Instruction manual, cleaning cloth, bikini covers, CR2032 battery, throw lever



Coverage in cm / 100 Meter at 15x

SPECTRA	Reticle	A	B	C	D	E
3-15x56i	G4i	0,7	66	33	2,8	0,58

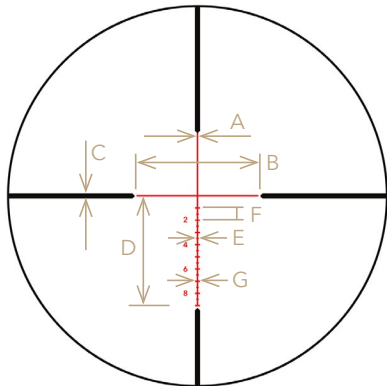
SPECTRA 3-18x56i



SPECTRA	A	B	C	D	E	F	G	H	I
3-18x56i	369,6	145,1	45,1	63,4	63,5	43,5	30	123,3	101,2

SPECTRA 3-18x56i

Magnification	.	3x - 18x
Field of View (FOV) m at 100m	.	11,1 - 21,9
Objective diameter (mm)	Effective diameter	56
Exit pupil diameter (mm)	Measurment. of the pupillary ocular beam	9,5 - 3,1
Eye relief (inches)	From the last optical surface	3,74
Eye relief (mm)	From the last optical surface	95
Travel value per click at 100m	1 clich =x/100m	1
Elevation range total (cm at 100m)	100m	250
Windage range total (cm at 100m)	100m	250
Parallax compensation	.	10m - ∞
Transmission daylight	ISO 14490-5:2005	90%
Height (inches)	Without covers	2,12
Height (mm)	Without covers	54
Width (inches)	At outside diameter	3,34
Width (mm)	At outside diameter	85
Length (inches)	Fully extended	14,55
Length (mm)	Fully extended	369,6
Tube diameter (mm)	.	30
Weight (oz)	Without cover	29,27
Weight (gram)	Without cover	830
Reticle options	.	BRi
Accessories	.	Instruction manual, cleaning cloth, bikini covers, CR2032 battery, throw lever



Coverage in cm / 100 Meter at 18x

SPECTRA	Reticle	A	B	C	D	E	F	G
3-18x56i	BRi	1	120	4	90	2	10	4

SPECTRA 1,5-9x32i

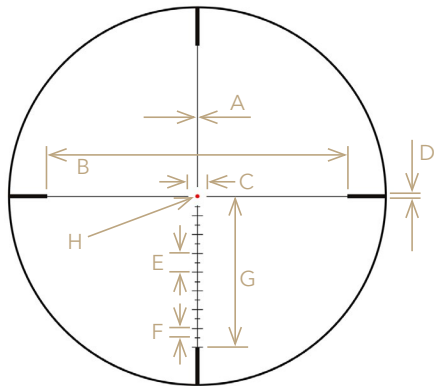


Dimension in mm

SPECTRA	A	B	C	D	E	F	G	H	I
1,5-9x32i	320	148,7	52,6	58,3	39,6	45,8	30	69,6	101,6

SPECTRA 1,5-9x32i

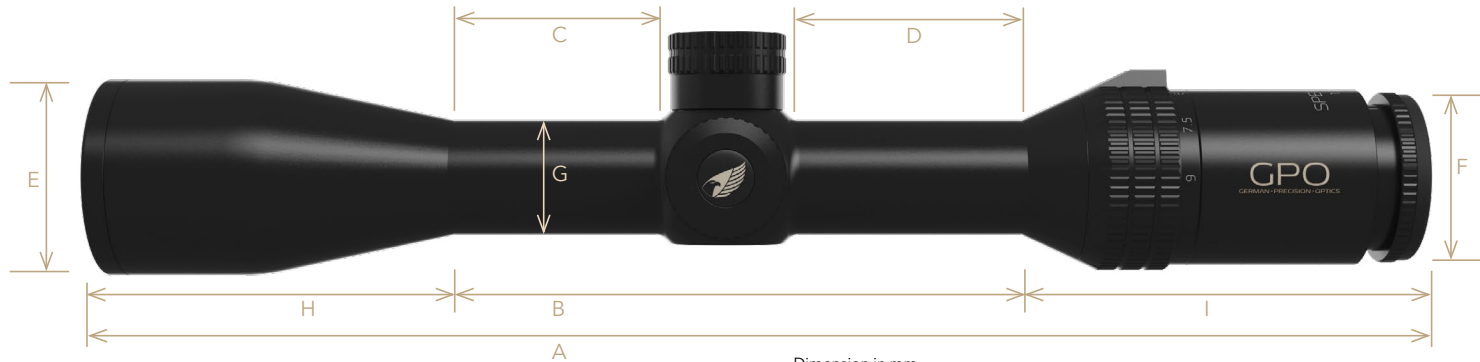
Magnification	.	1,5x - 9x
Field of View (FOV) m at 100m	.	28 - 4,6
Objective diameter (mm)	Effective diameter	32
Exit pupil diameter (mm)	Measur. of the pupillary ocular beam	9,5 - 3,5
Eye relief (inches)	From the last optical surface	4
Eye relief (mm)	From the last optical surface	97
Travel value per click at 100m	1 clic = x/100m	1
Elevation range total (cm at 100m)	100m	400
Windage range total (cm at 100m)	100m	400
Parallax compensation	.	100
Transmission daylight	ISO 14490-5:2005	90%
Height (inches)	Without covers	1,88
Height (mm)	Without covers	47,9
Width (inches)	At outside diameter	2,66
Width (mm)	At outside diameter	67,5
Length (inches)	Fully extended	12,59
Length (mm)	Fully extended	320
Tube diameter (mm)	.	30
Weight (oz)	Without cover	19,5
Weight (gram)	Without cover	496
Reticle options	.	G4i Drop
Accessories	.	Instruction manual, cleaning cloth, bikini covers, CR2032 battery



Coverage in cm / 100 Meter at 9x

SPECTRA	Reticle	A	B	C	D	E	F	G	H
1,5-9x32i	G4i Drop	0,8	180	12	4	10	5	80	2,5

SPECTRA 1,5-9x44i

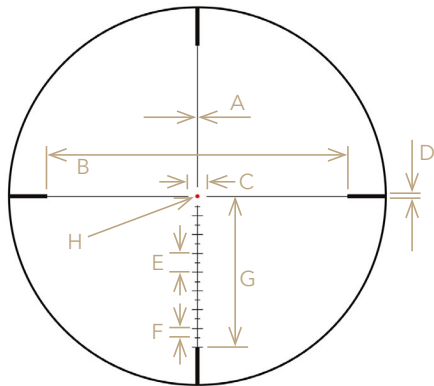


Dimension in mm

SPECTRA	A	B	C	D	E	F	G	H	I
1,5-9x44i	341,3	148,7	52,6	58,3	51,2	45,8	30	91	101,6

SPECTRA 1,5-9x44i

Magnification	.	1,5x - 9x
Field of View (FOV) m at 100m	.	28 - 4,6
Objective diameter (mm)	Effective diameter	44
Exit pupil diameter (mm)	Measurment. of the pupillary ocular beam	9,5 - 4,9
Eye relief (inches)	From the last optical surface	4
Eye relief (mm)	From the last optical surface	97
Travel value per click at 100m	1 clic = x/100m	1
Elevation range total (cm at 100m)	100m	400
Windage range total (cm at 100m)	100m	400
Parallax compensation	.	100
Transmission daylight	ISO 14490-5:2005	90%
Height (inches)	Without covers	1,88
Height (mm)	Without covers	47,9
Width (inches)	At outside diameter	2,66
Width (mm)	At outside diameter	67,5
Length (inches)	Fully extended	13,43
Length (mm)	Fully extended	341,3
Tube diameter (mm)	.	30
Weight (oz)	Without cover	20,28
Weight (gram)	Without cover	575
Reticle options	.	G4i Drop
Accessories	.	Instruction manual, cleaning cloth, bikini covers, CR2032 battery



Coverage in cm / 100 Meter at 9x

SPECTRA	Reticle	A	B	C	D	E	F	G	H
1,5-9x44i	G4i Drop	0,8	180	12	4	10	5	80	2,5

SPECTRA 1-6x24i

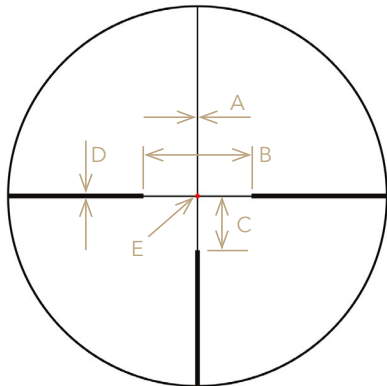


Dimension in mm

SPECTRA	A	B	C	D	E	F	G	H	I
1-6x24i	286,8	172,8	76,5	58,3	30	45,8	30	13,4	100,6

SPECTRA 1-6x24i

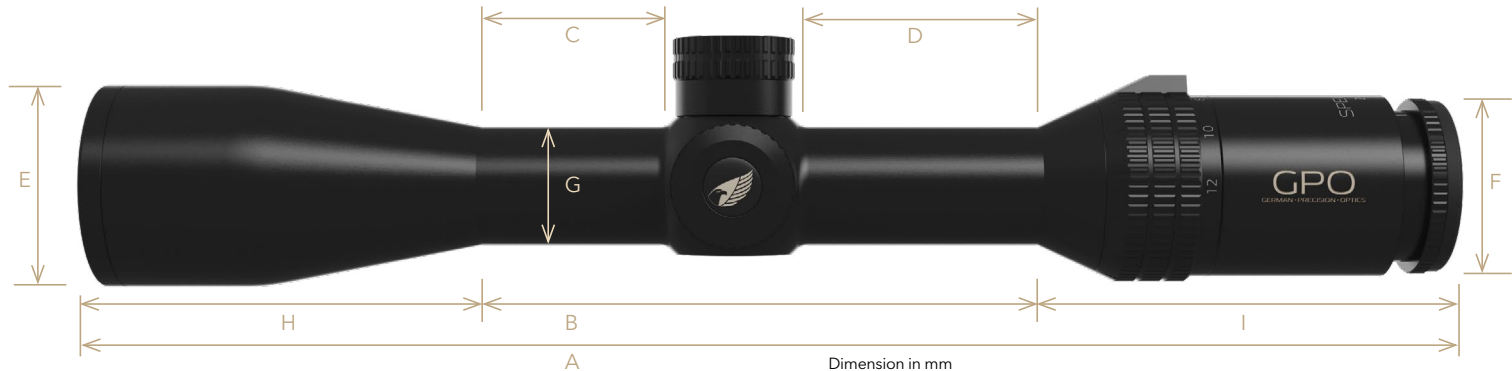
Magnification	.	1x - 6x
Field of View (FOV) m at 100m	.	42 - 7
Objective diameter (mm)	Effective diameter	24
Exit pupil diameter (mm)	Measurment. of the pupillary ocular beam	9,5 - 4,0
Eye relief (inches)	From the last optical surface	4
Eye relief (mm)	From the last optical surface	97
Travel value per click at 100m	1 clic = x/100m	1
Elevation range total (cm at 100m)	100m	400
Windage range total (cm at 100m)	100m	400
Parallax compensation	.	100
Transmission daylight	ISO 14490-5:2005	90%
Height (inches)	Without covers	1,88
Height (mm)	Without covers	47,9
Width (inches)	At outside diameter	2,66
Width (mm)	At outside diameter	67,5
Length (inches)	Fully extended	11,29
Length (mm)	Fully extended	286,8
Tube diameter (mm)	.	30
Weight (oz)	Without cover	16,19
Weight (gram)	Without cover	459
Reticle options	.	G4i
Accessories	.	Instruction manual, cleaning cloth, bikini covers, CR2032 battery



Coverage in cm / 100 Meter at 6x

SPECTRA	Reticle	A	B	C	D	E
1-6x24i	G4i	2,6	300	150	11,7	2,6

SPECTRA 2-12x44i

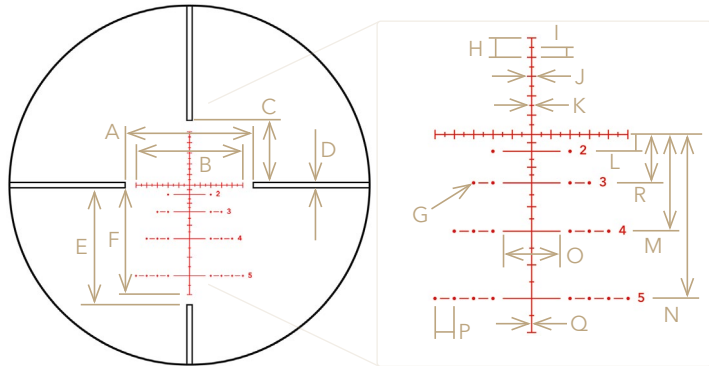


Dimension in mm

SPECTRA	A	B	C	D	E	F	G	H	I
2-12x44i	339,4	141,2	45	58,3	51,2	45,8	30	96	102,2

SPECTRA 2-12x44i

Magnification	.	2x - 12x
Field of View (FOV) m at 100m	.	21 - 3,5
Objective diameter (mm)	Effective diameter	44
Exit pupil diameter (mm)	Measur. of the pupillary ocular beam	9,5 - 3,6
Eye relief (inches)	From the last optical surface	4
Eye relief (mm)	From the last optical surface	97
Travel value per click at 100m	1 clic = x/100m	1
Elevation range total (cm at 100m)	100m	400
Windage range total (cm at 100m)	100m	400
Parallax compensation	.	100
Transmission daylight	ISO 14490-5:2005	90%
Height (inches)	Without covers	1,88
Height (mm)	Without covers	47,9
Width (inches)	At outside diameter	2,66
Width (mm)	At outside diameter	67,5
Length (inches)	Fully extended	13,36
Length (mm)	Fully extended	339,4
Tube diameter (mm)	.	30
Weight (oz)	Without cover	20,28
Weight (gram)	Without cover	575
Reticle options	.	BRWi
Accessories	.	Instruction manual, cleaning cloth, bikini covers, CR2032 battery

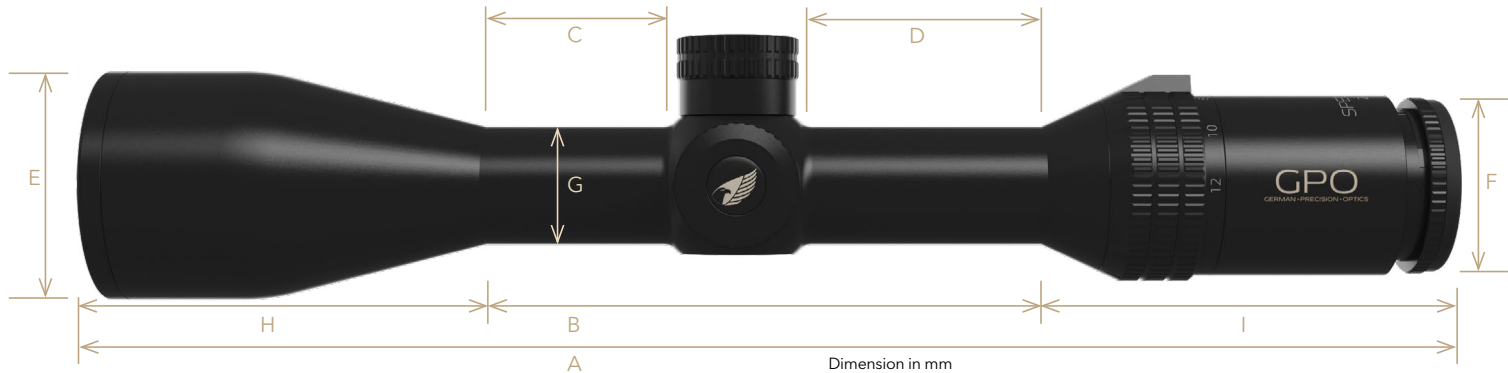


SPECTRA 2-12x44i Reticle - BRWi

Coverage in cm / 100 Meter at 12x

A	B	C	D	E	F	G	H	I	J	K	L	M	N	O	P	Q	R
120	100	60	5,8	130	120	1,7	10	5	4	2	10	60	100	30	5,8	0,5	30

SPECTRA 2-12x50i

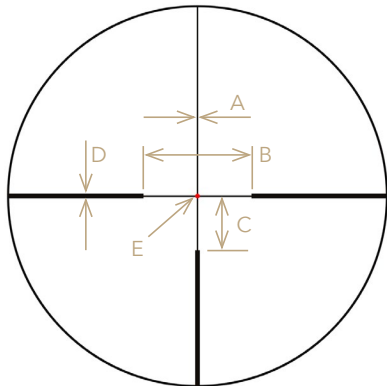


Dimension in mm

SPECTRA	A	B	C	D	E	F	G	H	I
2-12x50i	339,4	141,2	45	58,3	58	45,8	30	96	102,2

SPECTRA 2-12x50i

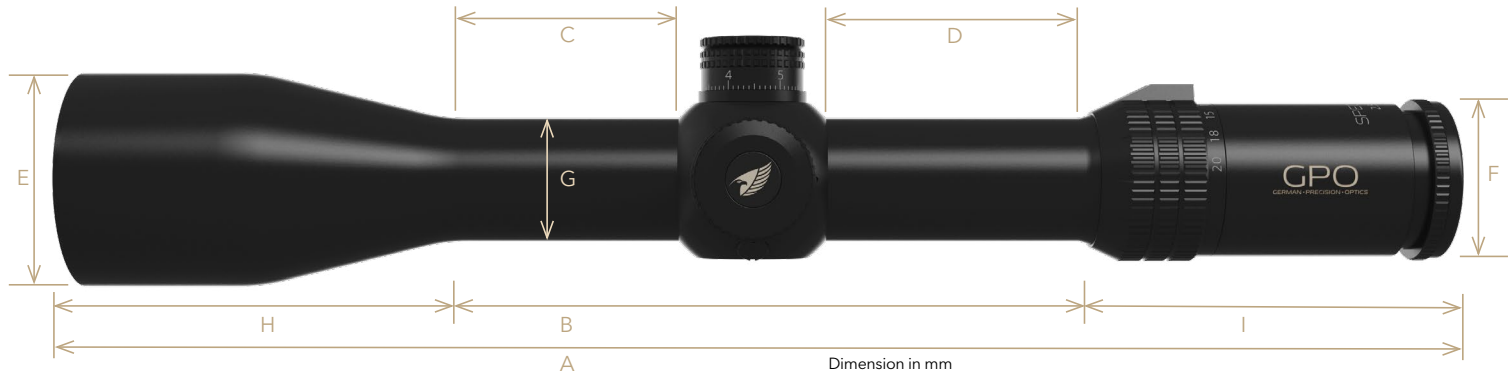
Magnification	.	2x - 12x
Field of View (FOV) m at 100m	.	21 - 3,5
Objective diameter (mm)	Effective diameter	50
Exit pupil diameter (mm)	Measurment. of the pupillary ocular beam	9,5 - 4,2
Eye relief (inches)	From the last optical surface	4
Eye relief (mm)	From the last optical surface	97
Travel value per click at 100m	1 clic = x/100m	1
Elevation range total (cm at 100m)	100m	400
Windage range total (cm at 100m)	100m	400
Parallax compensation	.	100
Transmission daylight	ISO 14490-5:2005	90%
Height (inches)	Without covers	1,88
Height (mm)	Without covers	47,9
Width (inches)	At outside diameter	2,66
Width (mm)	At outside diameter	67,5
Length (inches)	Fully extended	13,36
Length (mm)	Fully extended	339,4
Tube diameter (mm)	.	30
Weight (oz)	Without cover	20,92
Weight (gram)	Without cover	593
Reticle options	.	G4i
Accessories	.	Instruction manual, cleaning cloth, bikini covers, CR2032 battery



Coverage in cm / 100 Meter at 12x

SPECTRA	Reticle	A	B	C	D	E
2-12x50i	G4i	2,6	300	150	11,7	2,6

SPECTRA 2,5-20x50i

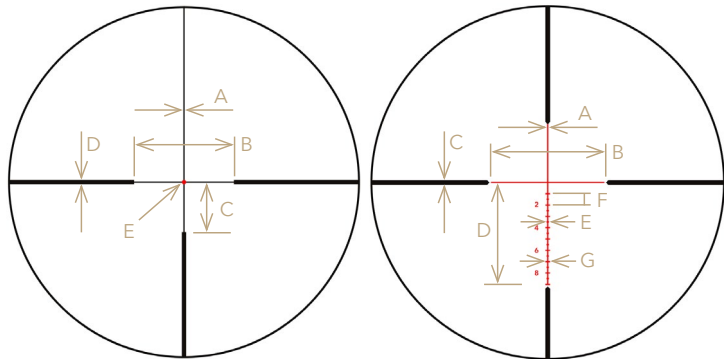


Dimension in mm

SPECTRA	A	B	C	D	E	F	G	H	I
2,5-20x50i	374,8	168,8	58,6	69,5	59	42,2	34	105,5	100,5

SPECTRA 2,5-20x50i

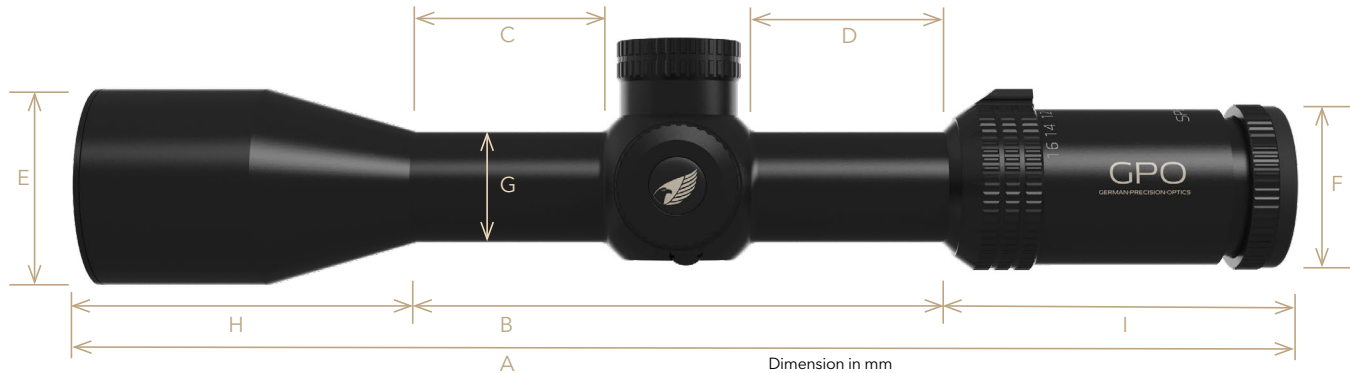
Magnification	.	2,5x - 20x
Field of View (FOV) m at 100m	.	15,5 - 1,9
Objective diameter (mm)	Effective diameter	50
Exit pupil diameter (mm)	Measur. of the pupillary ocular beam	9 - 2,5
Eye relief (inches)	From the last optical surface	3,54
Eye relief (mm)	From the last optical surface	90
Travel value per click at 100m	1 clich =x/100m	1
Elevation range total (cm at 100m)	100m	261
Windage range total (cm at 100m)	100m	261
Parallax compensation	.	10 - ∞
Transmission daylight	ISO 14490-5:2005	87%
Height (inches)	Without covers	2,3
Height (mm)	Without covers	58,5
Width (inches)	At outside diameter	3,7
Width (mm)	At outside diameter	94
Length (inches)	Fully extended	14,75
Length (mm)	Fully extended	374,8
Tube diameter (mm)	.	30
Weight (oz)	Without cover	25,32
Weight (gram)	Without cover	718
Reticle options	.	G4i / BRi
Accessories	.	Instruction manual, cleaning cloth, bikini covers, CR2032 battery, throw lever



Coverage in cm / 100 Meter at 20x

SPECTRA	Reticle	A	B	C	D	E	F	G
2,5-20x50i	G4i	0,6	100	50	3	0,5	.	.
2,5-20x50i	BRi	1	100	4	90	2	10	4

SPECTRA 2-16x44i

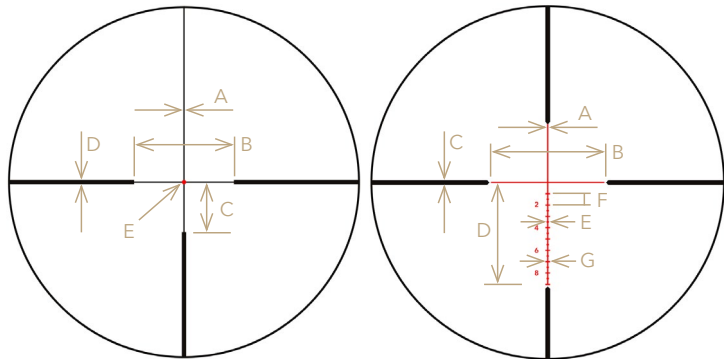


Dimension in mm

SPECTRA	A	B	C	D	E	F	G	H	I
2-16x44i	313,2	143,5	52,3	51,7	53	42,2	30	83	86,7

SPECTRA 2-16x44i

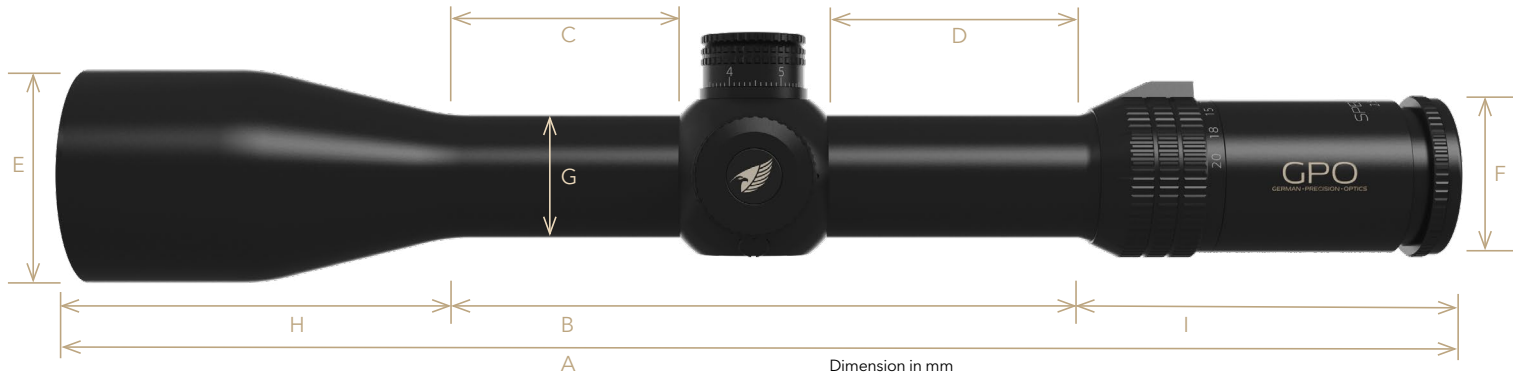
Magnification	.	2x - 16x
Field of View (FOV) m at 100m	.	19,4 - 2,4
Objective diameter (mm)	Effective diameter	44
Exit pupil diameter (mm)	Measur. of the pupillary ocular beam	9 - 2,75
Eye relief (inches)	From the last optical surface	3,54
Eye relief (mm)	From the last optical surface	90
Travel value per click at 100m	1 clich =x/100m	1
Elevation range total (cm at 100m)	100m	291
Windage range total (cm at 100m)	100m	291
Parallax compensation	.	10 - ∞
Transmission daylight	ISO 14490-5:2005	87%
Height (inches)	Without covers	2,3
Height (mm)	Without covers	58,5
Width (inches)	At outside diameter	3,7
Width (mm)	At outside diameter	94
Length (inches)	Fully extended	12,23
Length (mm)	Fully extended	313,2
Tube diameter (mm)	.	30
Weight (oz)	Without cover	23,88
Weight (gram)	Without cover	677
Reticle options	.	G4i / BRi
Accessories	.	Instruction manual, cleaning cloth, bikini covers, CR2032 battery, throw lever



Coverage in cm / 100 Meter at 16x

SPECTRA	Reticle	A	B	C	D	E	F	G
2-16x44i	G4i	0,7	80	40	3	0,6	.	.
2-16x44i	BRi	0,5	100	4	90	2	10	4

SPECTRA 3-24x56i

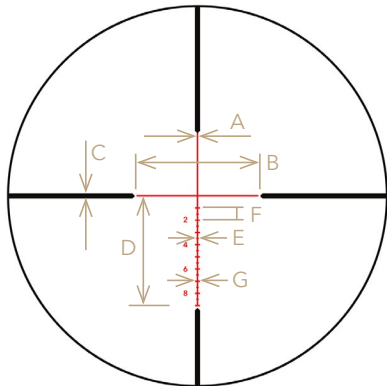


Dimension in mm

SPECTRA	A	B	C	D	E	F	G	H	I
3-24x56i	405	178,6	71,8	69,5	65	42,2	34	125,9	100,5

SPECTRA 3-24x56i

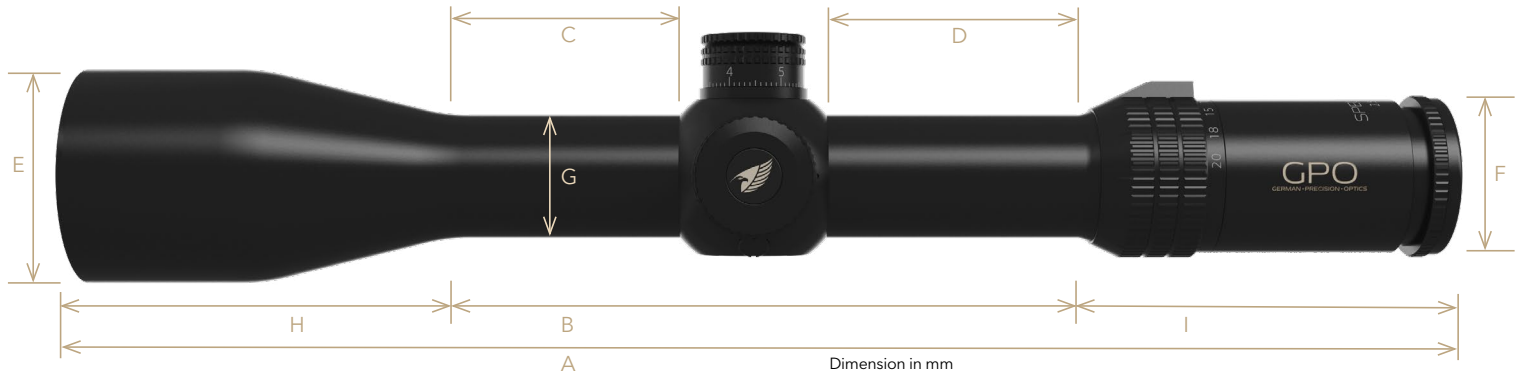
Magnification	.	3x - 24x
Field of View (FOV) m at 100m	.	12,8 - 1,6
Objective diameter (mm)	Effective diameter	56
Exit pupil diameter (mm)	Measurment. of the pupillary ocular beam	9 - 2,3
Eye relief (inches)	From the last optical surface	3,54
Eye relief (mm)	From the last optical surface	90
Travel value per click at 100m	1 clic = x/100m	1
Elevation range total (cm at 100m)	100m	261
Windage range total (cm at 100m)	100m	261
Parallax compensation	.	10 - ∞
Transmission daylight	ISO 14490-5:2005	87%
Height (inches)	Without covers	2,3
Height (mm)	Without covers	58,5
Width (inches)	At outside diameter	3,7
Width (mm)	At outside diameter	94
Length (inches)	Fully extended	15,94
Length (mm)	Fully extended	405
Tube diameter (mm)	.	30
Weight (oz)	Without cover	27,33
Weight (gram)	Without cover	775
Reticle options	.	BRi
Accessories	.	Instruction manual, cleaning cloth, bikini covers, CR2032 battery, throw lever



Coverage in cm / 100 Meter at 24x

SPECTRA	Reticle	A	B	C	D	E	F	G
3-24x56i	BRi	10,5	100	4	90	2	10	4

SPECTRA 3-24x56i FFP

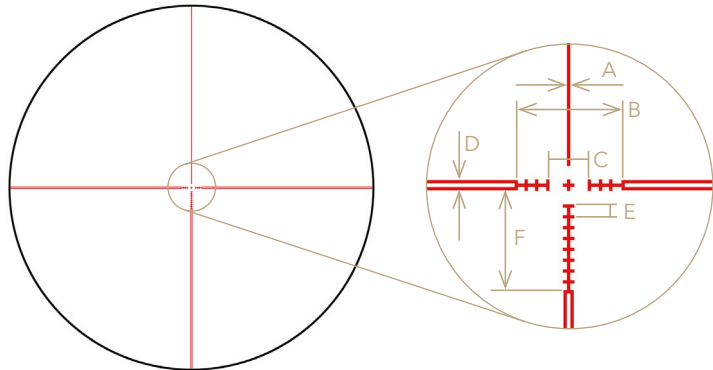


Dimension in mm

SPECTRA	A	B	C	D	E	F	G	H	I
3-24x56i	405	178,6	71,8	69,5	65	42,2	34	125,9	100,5

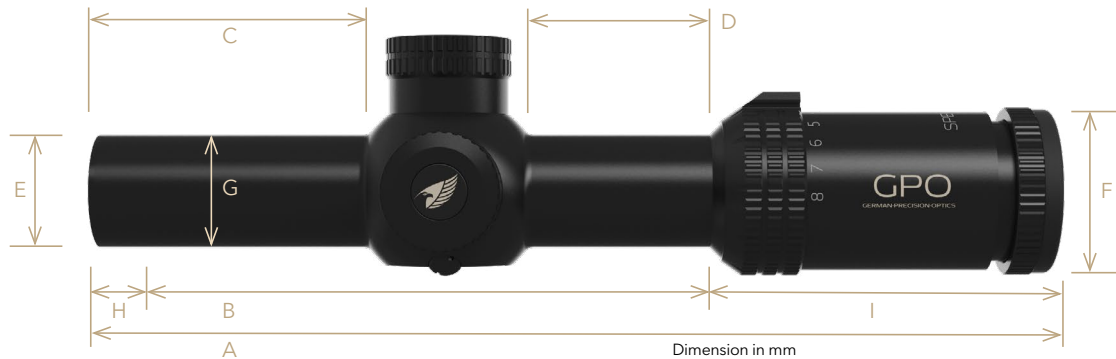
SPECTRA 3-24x56i FFP

Magnification	.	3x - 24x
Field of View (FOV) m at 100m	.	10,5 - 1,6
Objective diameter (mm)	Effective diameter	56
Exit pupil diameter (mm)	Measurem. of the pupillary ocular beam	9 - 2,3
Eye relief (inches)	From the last optical surface	3,54
Eye relief (mm)	From the last optical surface	90
Travel value per click at 100m	1 clich =x/100m	1
Elevation range total (cm at 100m)	100m	300
Windage range total (cm at 100m)	100m	300
Parallax compensation	.	15 - ∞
Transmission daylight	ISO 14490-5:2005	90%
Height (inches)	Without covers	2,91
Height (mm)	Without covers	74
Width (inches)	At outside diameter	4,33
Width (mm)	At outside diameter	110
Length (inches)	Fully extended	15,94
Length (mm)	Fully extended	405
Tube diameter (mm)	.	34
Weight (oz)	Without cover	31,57
Weight (gram)	Without cover	895
Reticle options	.	LR
Accessories	.	Instruction manual, cleaning cloth, bikini covers, CR2032 battery, throw lever



SPECTRA	Reticle	A	B	C	D	E	F
3-24x56i FFP	LR	0,5	100	10	5	10	100

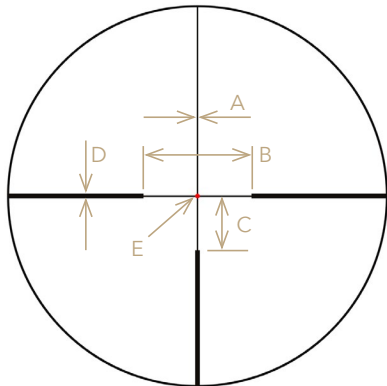
SPECTRA 1-8x24i



SPECTRA	A	B	C	D	E	F	G	H	I
1-8x24i	255,5	161,5	72	50	30	42,2	30	5	89

SPECTRA 1-8x24i

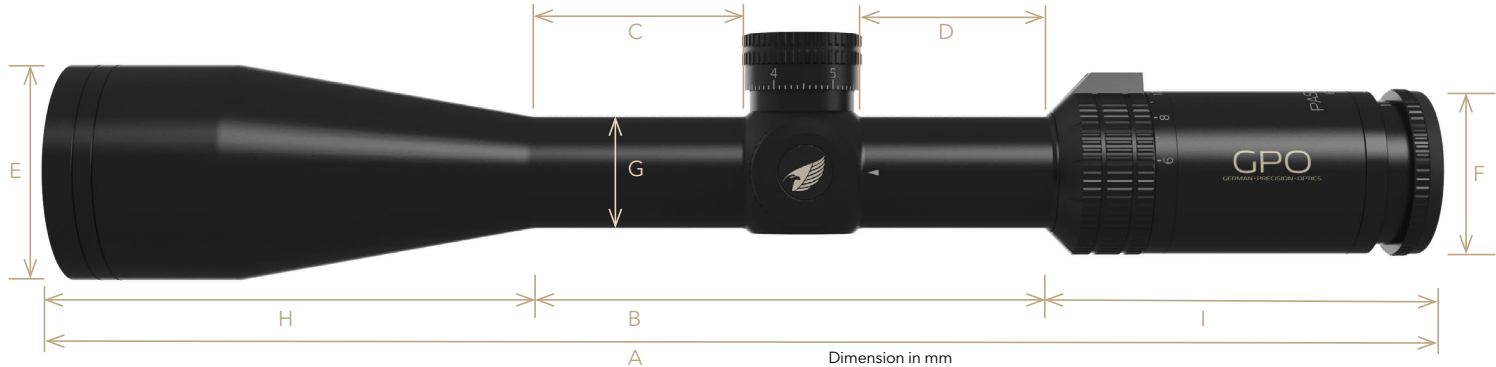
Magnification	.	1x - 8x
Field of View (FOV) m at 100m	.	40,4 - 4,8
Objective diameter (mm)	Effective diameter	24
Exit pupil diameter (mm)	Measurment. of the pupillary ocular beam	9 - 3
Eye relief (inches)	From the last optical surface	3,54
Eye relief (mm)	From the last optical surface	90
Travel value per click at 100m	1 clic = x/100m	1
Elevation range total (cm at 100m)	100m	350
Windage range total (cm at 100m)	100m	350
Parallax compensation	.	100
Transmission daylight	ISO 14490-5:2005	87%
Height (inches)	Without covers	2,38
Height (mm)	Without covers	60,5
Width (inches)	At outside diameter	3,11
Width (mm)	At outside diameter	79
Length (inches)	Fully extended	10,06
Length (mm)	Fully extended	255,5
Tube diameter (mm)	.	30
Weight (oz)	Without cover	17,77
Weight (gram)	Without cover	504
Reticle options	.	G4i
Accessories	.	Instruction manual, cleaning cloth, bikini covers, CR2032 battery, throw lever



Coverage in cm / 100 Meter at 8x

SPECTRA	Reticle	A	B	C	D	E
1-8x24i	G4i	1,4	150	75	5,6	1,2

SPECTRA 4,5-27x50i FFP

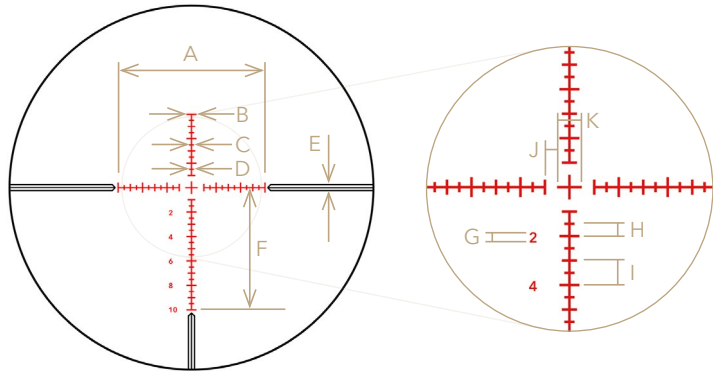


Dimension in mm

SPECTRA	A	B	C	D	E	F	G	H	I
4,5-27x50i FFP	361,2	143,3	55,3	52,4	57,5	43,5	30	122,9	95

SPECTRA 4,5-27x50i FFP

Magnification	.	4,5x - 27x
Field of View (FOV) m at 100m	.	7,1 - 1,3
Objective diameter (mm)	Effective diameter	50
Exit pupil diameter (mm)	Measur. of the pupillary ocular beam	9,5 - 1,5
Eye relief (inches)	From the last optical surface	3,74
Eye relief (mm)	From the last optical surface	95
Travel value per click at 100m	1 clic = x/100m	1
Elevation range total (cm at 100m)	100m	220
Windage range total (cm at 100m)	100m	220
Parallax compensation	.	10m - ∞
Transmission daylight	ISO 14490-5:2005	90%
Height (inches)	Without covers	2,52
Height (mm)	Without covers	64
Width (inches)	At outside diameter	3,72
Width (mm)	At outside diameter	94,5
Length (inches)	Fully extended	14,22
Length (mm)	Fully extended	361,2
Tube diameter (mm)	.	30
Weight (oz)	Without cover	31,04
Weight (gram)	Without cover	880
Reticle options	.	LR Pro
Accessories	.	Instruction manual, cleaning cloth, bikini covers, CR2032 battery, throw lever



SPECTRA	Reticle	A	B	C	D	E	F	G	H	I	J	K
4,5-27x50i FFP	LR Pro	120	6	4	0,5	5	100	4	5	10	5	10

The information about Prices, scope of delivery, technical data's and services correspond to those at the time of printing existing knowledge. Errors, misprints and technical changes are reserved. Reprint, also in part, only with the written permission of GPO GmbH & Co KG.

GPO GmbH & Co. KG
Wildmoos 9
82266 Inning am Ammersee
Tel.: +49 (0) 8142/99 20 87 0
Fax: +49 (0) 8142/99 20 87 9
Email: info@gp-optics.com
www.gp-optics.com